

STEERABLE HYDRAULIC CLAMPING

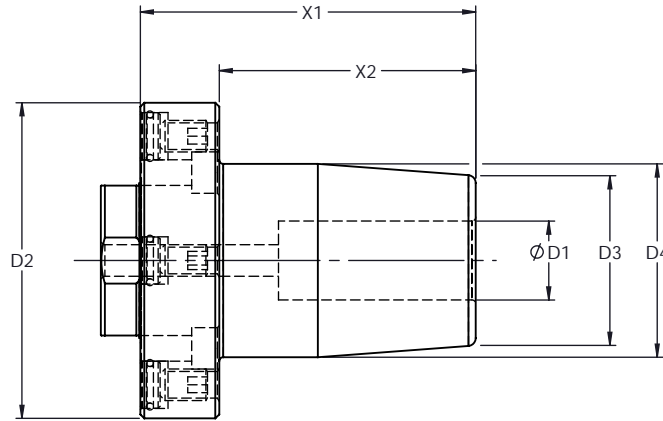
  
**PREMIER**  
TOOLING SYSTEMS



THE CONTINUING TREND TOWARD HIGHER BORE ACCURACIES IS CREATING DEMAND FOR TOOL HOLDER INNOVATIONS THAT GIVE CONSISTENT AND EXTREMELY PRECISE RESULTS. THE PREMIER STEERABLE HYDRAULIC CLAMPING SYSTEM GIVE MANUFACTURERS THE FLEXIBILITY TO ADJUST BOTH RADIAL AND AXIAL RUNOUT (T.I.R.) INDEPENDENTLY. THIS ALLOWS OPERATORS TO ACHIEVE “ZERO” RUNOUT WITH EVEN THE MOST EXTREME LENGTH TO DIAMETER RATIOS. THESE HYDRAULIC HOLDERS CAN BE SUPPLIED FOR A WIDE RANGE OF SPINDLE CONNECTIONS, AND BE CUSTOMIZED TO FIT ALMOST ANY APPLICATION.



# FLANGE MOUNTED HYDRAULIC HOLDER



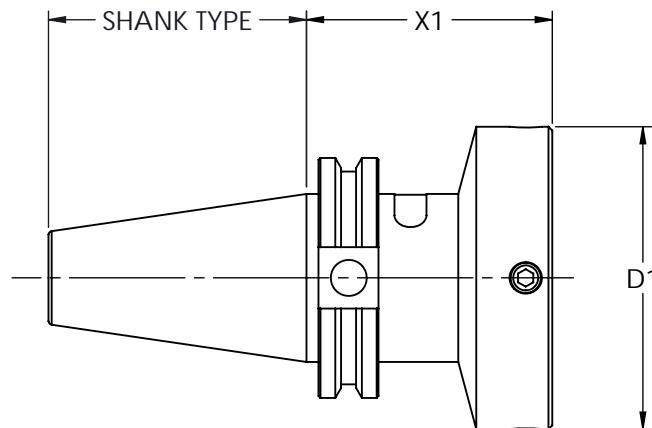
## MOD80

Part Number	D1	D2	D3	D4	X1	X2
HYD16MOD80GL85	16	80	32	49	85	65
HYD20MOD80GL85	20	80	37	49	85	65

## MOD100

Part Number	D1	D2	D3	D4	X1	X2
HYD25MOD100GL100	25	100	43	56	100	79
HYD32MOD100GL100	32	100	51	61	100	79

# SPINDLE ADAPTER FOR HYDRAULIC HOLDERS



## MOD80

Part Number	Shank Type	D1	X1
CAT40-MOD80-GL55	CAT40	80	55
CAT50-MOD80-GL55	CAT50	80	55
BT40-MOD80-GL55	BT40	80	55
BT50-MOD80-GL55	BT50	80	55
SK40-MOD80-GL55	SK40	80	55
SK50-MOD80-GL55	SK50	80	55
HSK63A-MOD80-GL60	HSK63A	80	60
HSK80A-MOD80-GL65	HSK80A	80	65
HSK100A-MOD80-GL65	HSK100A	80	65

## MOD100

Part Number	Shank Type	D1	X1
CAT40-MOD100-GL60	CAT40	100	60
CAT50-MOD100-GL60	CAT50	100	60
BT40-MOD100-GL60	BT40	100	60
BT50-MOD100-GL60	BT50	100	60
SK40-MOD100-GL60	SK40	100	60
SK50-MOD100-GL60	SK50	100	60
HSK63A-MOD100-GL65	HSK63A	100	65
HSK80A-MOD100-GL65	HSK80A	100	65
HSK100A-MOD100-GL65	HSK100A	100	65

\* Special gage lengths available upon request for MOD80 & MOD100 adapters



3111 TRI-PARK DRIVE  
GRAND BLANC, MICHIGAN, 48439

PH 810-603-2117  
INFO@PTSPREMIER.COM